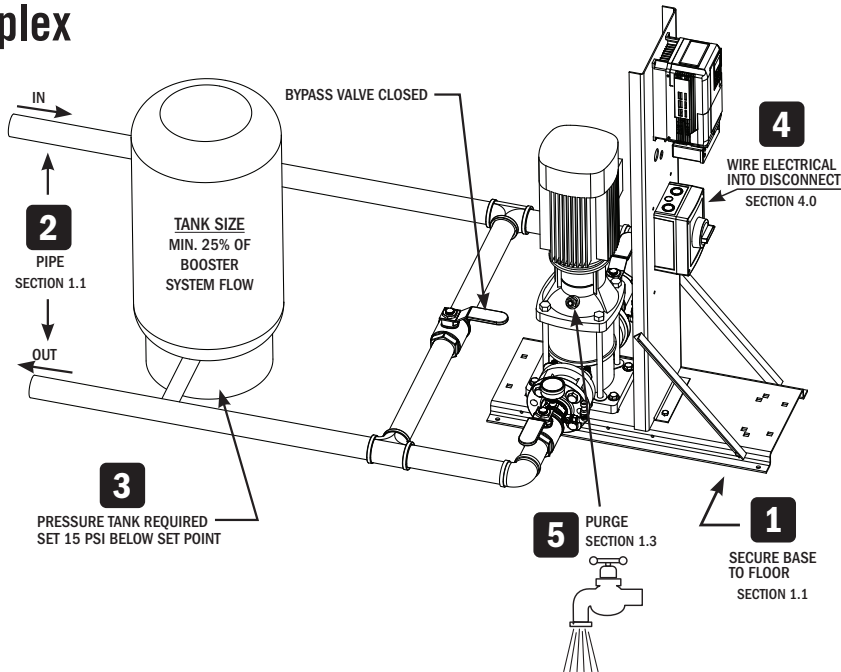


## Simplex

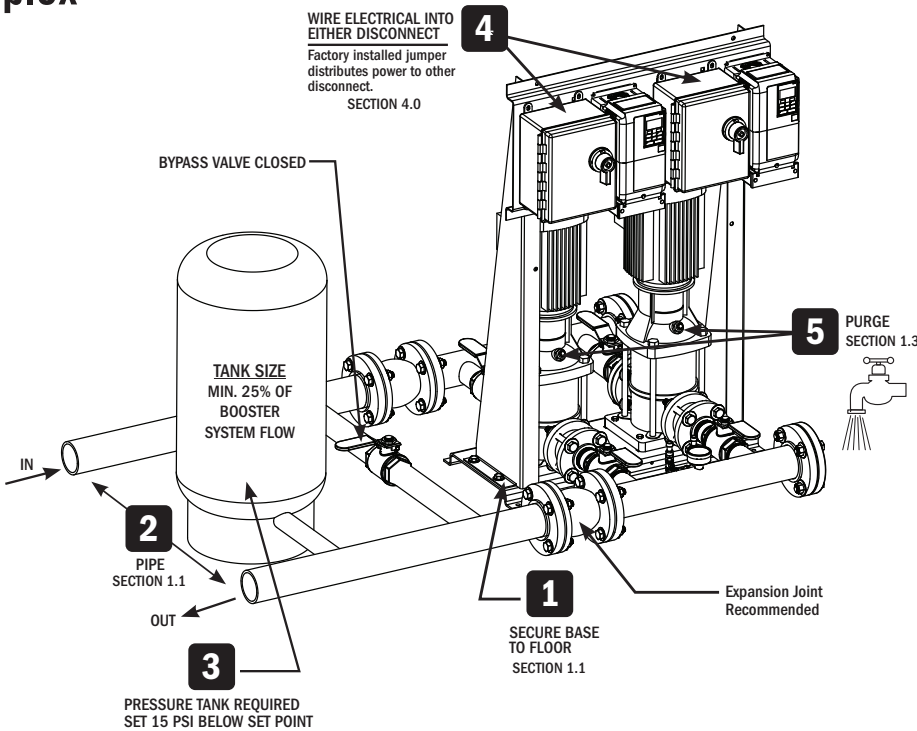


## 6 SET PRESSURE SET POINT SECTION 2.3

- Return to Home Screen (Below)
- Press **ENTER**, and Setpoint 1 (Q1-01) should be displayed on screen.
- Use **RESET** to scroll to the correct digit
- To change the setpoint value, use **↑** **↓**
- Press **ENTER** to save the value
- Return to the home screen by pressing **F1**



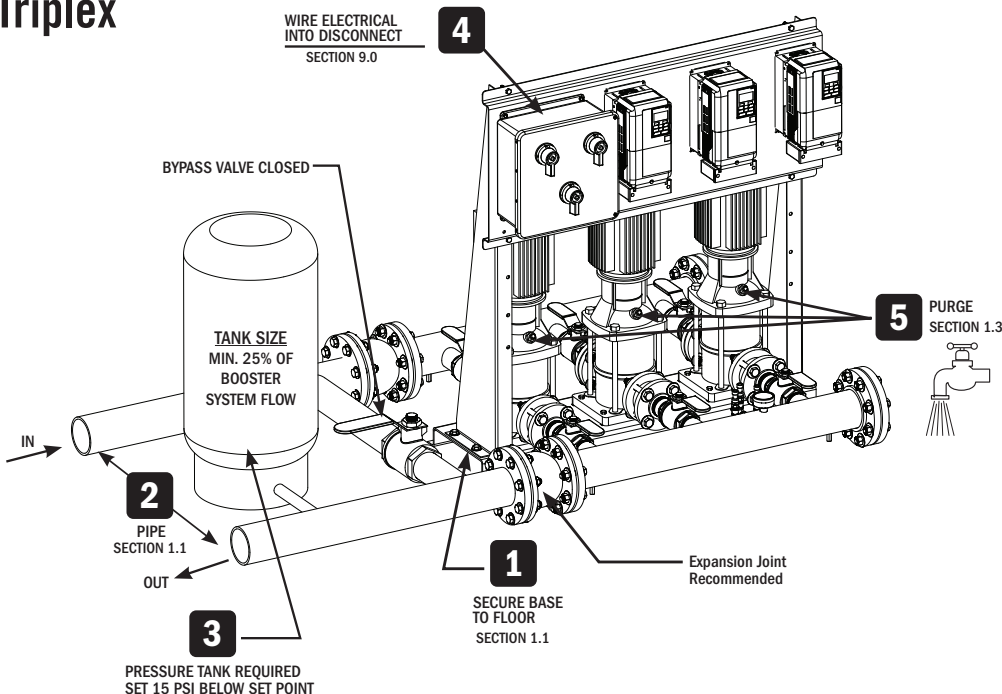
## Duplex



## 7 START SYSTEM

Press **AUTO** to start the system.

## Triplex



**WARNING:** It is unlawful in CALIFORNIA & VERMONT (effective 1/1/2010); MARYLAND (effective 1/1/2012); LOUISIANA (effective 1/1/2013) and the UNITED STATES OF AMERICA (effective 1/4/2014) to use any product in the installation or repair of any public water system or any plumbing in a facility or system that provides water for human consumption if the wetted surface area of the product has a weighted average lead content greater than 0.25%. This prohibition does not extend to service saddles used in California, Louisiana or under USA Public Law 111-380. **WARNING:** This product can expose you to chemicals including lead, which is known to the State of CALIFORNIA to cause cancer and birth defects or other reproductive harm. For more information go to: [www.P65Warnings.ca.gov](http://www.P65Warnings.ca.gov).

SEE MANUAL 3210-552 FOR MORE INFORMATION